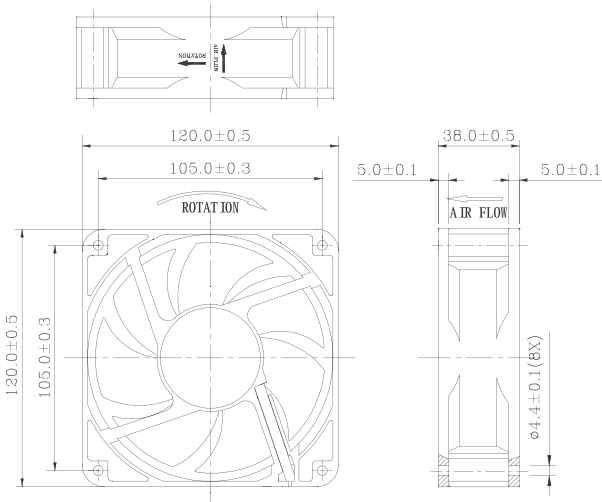
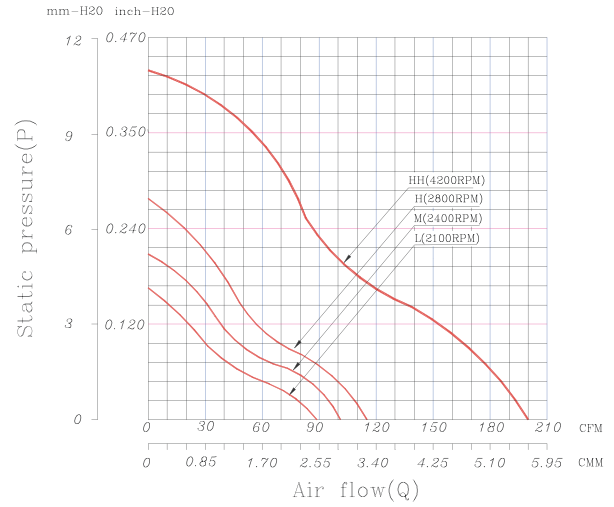


120 x 120 x 38 mm Series

Dimensions



Performance Curves



Air exhaust over struts. Rotational direction CCW looking at rotor

Brushless DC Motor	Bearing Type
Housing: PBT 94V0	<input type="radio"/> CeraDyna A
Impeller: PBT 94V0	<input checked="" type="radio"/> 2-Ball
Weight: 270 g	<input type="radio"/> 1-Ball-1-Sleeve
Impedance protected	<input checked="" type="radio"/> Sleeve
Lead wire UL 1007 AWG 24	* Please contact us for CeraDyna-C availability.

Function options	
<input checked="" type="radio"/> Frequency Generator	<input checked="" type="radio"/> Auto Restart
<input checked="" type="radio"/> Temperature Control	<input checked="" type="radio"/> Rotation Detection

* Please contact us for PWM function availability.

* **Safety Approval: CE, UL, TUV**

* All fans are with electronic protection against reverse polarity. The fan only operates when the polarity is correct.

Specifications

Model	Rated Voltage (VDC)	Rated Current (Amp)	Input Power (Watts)	Nominal Speed (RPM)	Airflow (CFM)	Static Pressure (inch-H ₂ O)	Noise Level (dBA)
FD1212-A00XXG	12	1.65	19.8	4200	205.18	0.61	55.30
FD1212-A10XXG	12	0.60	7.20	2800	117.88	0.27	46.50
FD1212-A20XXG	12	0.45	5.40	2400	102.27	0.20	43.00
FD1212-A30XXG	12	0.35	4.20	2100	89.70	0.16	39.00
FD2412-A10XXG	24	0.35	8.40	2800	117.88	0.27	46.50
FD2412-A20XXG	24	0.25	6.0	2400	102.27	0.20	43.00
FD2412-A30XXG	24	0.20	4.80	2100	89.70	0.16	39.00
FD4812-A10XXG	48	0.20	9.60	2800	117.88	0.27	46.50
FD4812-A20XXG	48	0.16	7.68	2400	102.27	0.20	43.00
FD4812-A30XXG	48	0.13	6.24	2100	89.70	0.16	39.00

* All readings are typical value at rated voltage.

* Please refer to **PART NUMBER SYSTEM** for bearing type and part number

* Specifications are subject to change without prior notice.

* Please specify revision number when ordering.



European Thermodynamics Limited
Intelligent Thermal Management

<http://www.ETdyn.com>
email: info@ETdyn.com
3 Kingsley Business Park, New Road,
Kibworth Beauchamp
Leicestershire, LE8 0LE, UK