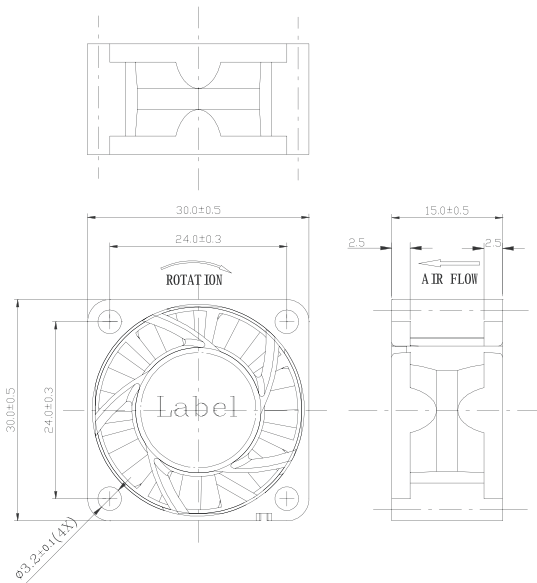
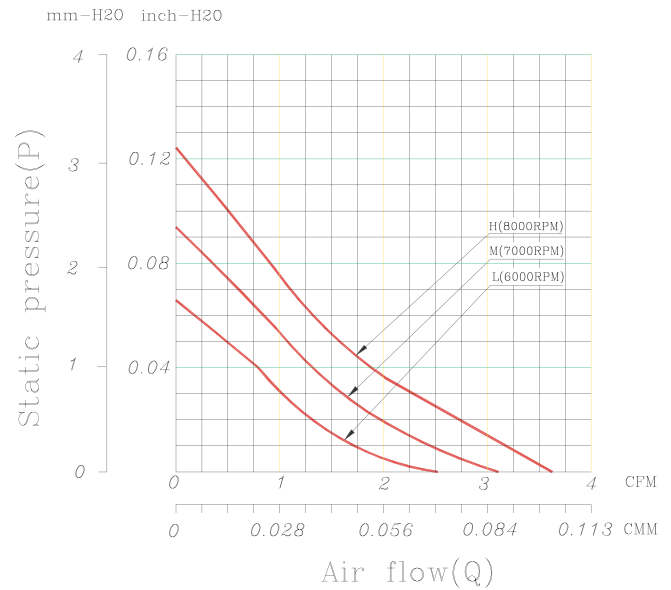


30 x 30 x 15 mm Series

Dimensions



Performance Curves



Air exhaust over struts. Rotational direction CCW looking at rotor.

Brushless DC Motor	Bearing Type
Housing: PBT 94V0	● CeraDyna A
Impeller: PBT 94V0	● 2-Ball
Weight: 15 g	● 1-Ball-1-Sleeve
Impedance protected	● Sleeve
Lead wire UL 1095 AWG 28	* Please contact us for CeraDyna-C availability.

Function options	
● Frequency Generator	● Auto Restart
○ Temperature Control	○ Rotation Detection

* Please contact us for PWM function availability.

* **Safety Approval: CE, UL, TUV**

* All fans are with electronic protection against reverse polarity. The fan only operates when the polarity is correct.

Specifications

Model	Rated Voltage (VDC)	Rated Current (Amp)	Input Power (Watts)	Nominal Speed (RPM)	Airflow (CFM)	Static Pressure (inch-H ₂ O)	Noise Level (dBA)
FD0530-A00XXC	5	0.32	1.60	8000	5.70	0.14	28.50
FD0530-A10XXC	5	0.27	1.35	7000	5.29	0.11	27.00
FD0530-A20XXC	5	0.24	1.20	6000	4.53	0.09	26.00
FD0530-A30XXC	5	0.16	0.80	5000	3.78	0.08	25.00
FD1230-A00XXC	12	0.18	2.16	9000	6.18	0.17	30.00
FD1230-A10XXC	12	0.16	1.92	8000	5.70	0.14	28.50
FD1230-A20XXC	12	0.14	1.68	7000	5.29	0.11	27.00
FD1230-A30XXC	12	0.12	1.44	6000	4.53	0.09	26.00

* All readings are typical value at rated voltage.

* Please refer to **PART NUMBER SYSTEM** for bearing type and part number

* Specifications are subject to change without prior notice.

* Please specify revision number when ordering.



European Thermodynamics Limited
Intelligent Thermal Management

http://www.etchedyn.com
email: info@etchedyn.com

3 Kingsley Business Park, New Road,
Kibworth Beauchamp
Leicestershire, LE8 0LE, UK