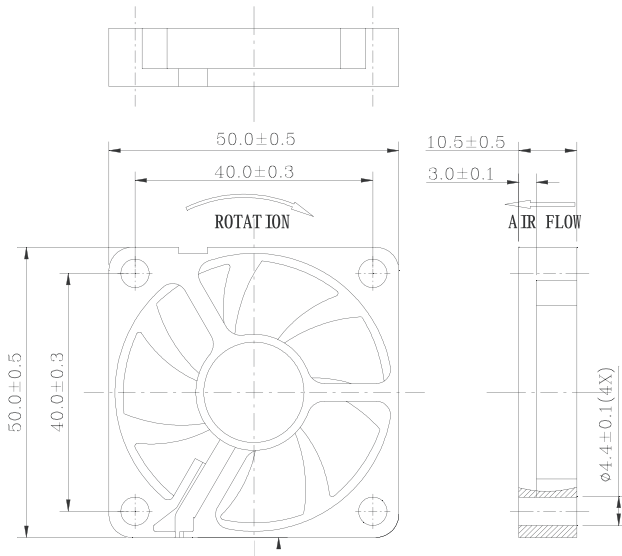
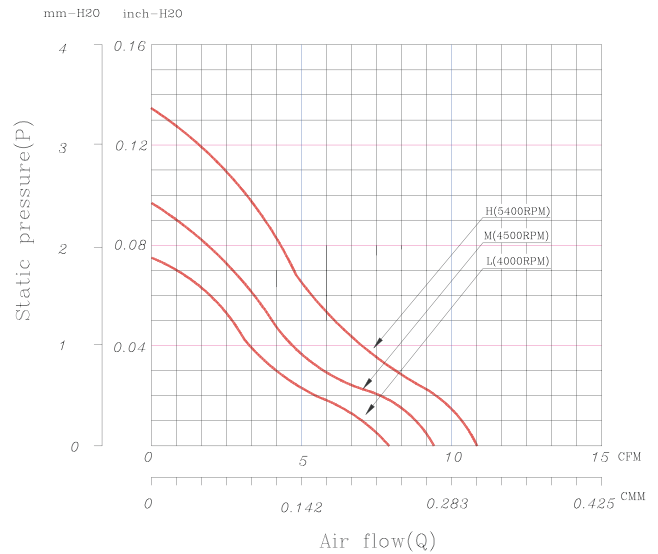


50 x 50 x 10 mm Series
Rev I – 15Ø
Dimensions

Performance Curves


Air exhaust over struts. Rotational direction CCW looking at rotor

| Brushless DC Motor | Bearing Type |
|--------------------------|--------------------------------------------------|
| Housing: PBT 94V0 | ● CeraDyna A |
| Impeller: PBT 94V0 | ● 2-Ball |
| Weight: 17 g | ● 1-Ball-1-Sleeve |
| Impedance protected | ● Sleeve |
| Lead wire UL 1007 AWG 26 | * Please contact us for CeraDyna-C availability. |

| Function options | |
|-----------------------|----------------------|
| ● Frequency Generator | ● Auto Restart |
| ● Temperature Control | ● Rotation Detection |

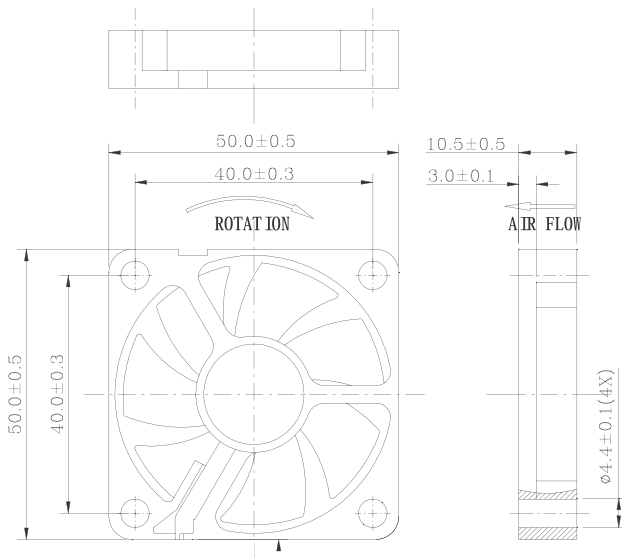
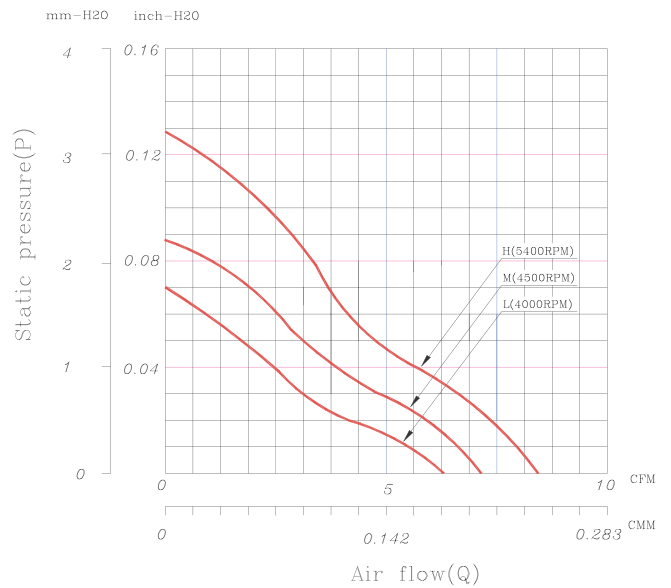
- * Please contact us for PWM function availability.
- * **Safety Approval: CE, UL, TUV**

* All fans are with electronic protection against reverse polarity. The fan only operates when the polarity is correct.

Specifications

| Model | Rated Voltage (VDC) | Rated Current (Amp) | Input Power (Watts) | Nominal Speed (RPM) | Airflow (CFM) | Static Pressure (inch-H2O) | Noise Level (dBA) |
|---------------|---------------------|---------------------|---------------------|---------------------|---------------|----------------------------|-------------------|
| FD1250-A10XXA | 12 | 0.11 | 1.32 | 5400 | 10.16 | 0.13 | 31.50 |
| FD1250-A20XXA | 12 | 0.09 | 1.08 | 4500 | 8.56 | 0.09 | 26.50 |
| FD1250-A30XXA | 12 | 0.07 | 0.84 | 4000 | 7.63 | 0.07 | 23.50 |
| | | | | | | | |
| | | | | | | | |
| | | | | | | | |
| | | | | | | | |
| | | | | | | | |

- * All readings are typical value at rated voltage.
- * Please refer to **PART NUMBER SYSTEM** for bearing type and part number
- * Specifications are subject to change without prior notice.
- * Please specify revision number when ordering.

50 x 50 x 10 mm Series
Rev II – 18Ø
Dimensions

Performance Curves


Air exhaust over struts. Rotational direction CCW looking at rotor

| Brushless DC Motor | Bearing Type |
|--------------------------|--------------------------------------------------|
| Housing: PBT 94V0 | ● CeraDyna A |
| Impeller: PBT 94V0 | ● 2-Ball |
| Weight: 22 g | ● 1-Ball-1-Sleeve |
| Impedance protected | ● Sleeve |
| Lead wire UL 1007 AWG 26 | * Please contact us for CeraDyna-C availability. |

| Function options | |
|-----------------------|----------------------|
| ● Frequency Generator | ● Auto Restart |
| ● Temperature Control | ● Rotation Detection |

* Please contact us for PWM function availability.

 * **Safety Approval: CE, UL, TUV**

* All fans are with electronic protection against reverse polarity. The fan only operates when the polarity is correct.

Specifications

| Model | Rated Voltage (VDC) | Rated Current (Amp) | Input Power (Watts) | Nominal Speed (RPM) | Airflow (CFM) | Static Pressure (inch-H ₂ O) | Noise Level (dBA) |
|---------------|---------------------|---------------------|---------------------|---------------------|---------------|-----------------------------------------|-------------------|
| FD1250-A10XXA | 12 | 0.12 | 1.44 | 5400 | 8.68 | 0.13 | 33.00 |
| FD1250-A20XXA | 12 | 0.08 | 0.96 | 4500 | 7.14 | 0.09 | 28.50 |
| FD1250-A30XXA | 12 | 0.07 | 0.84 | 4000 | 6.46 | 0.07 | 25.00 |
| | | | | | | | |
| | | | | | | | |
| | | | | | | | |
| | | | | | | | |
| | | | | | | | |

* All readings are typical value at rated voltage.

 * Please refer to **PART NUMBER SYSTEM** for bearing type and part number

* Specifications are subject to change without prior notice.

* Please specify revision number when ordering.