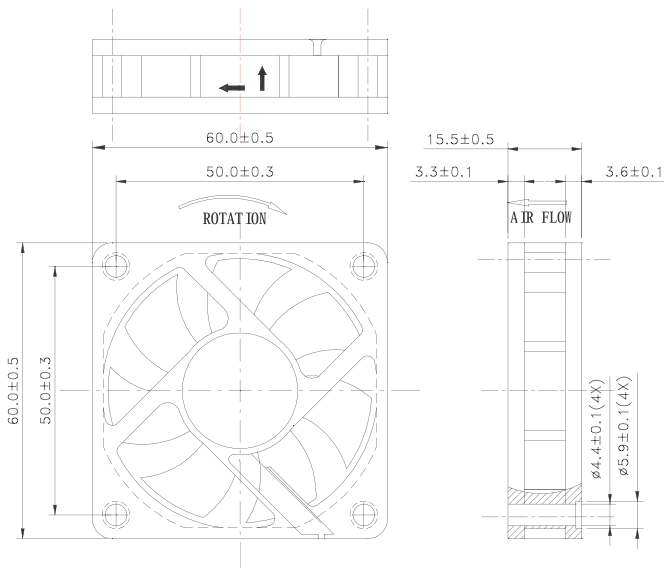
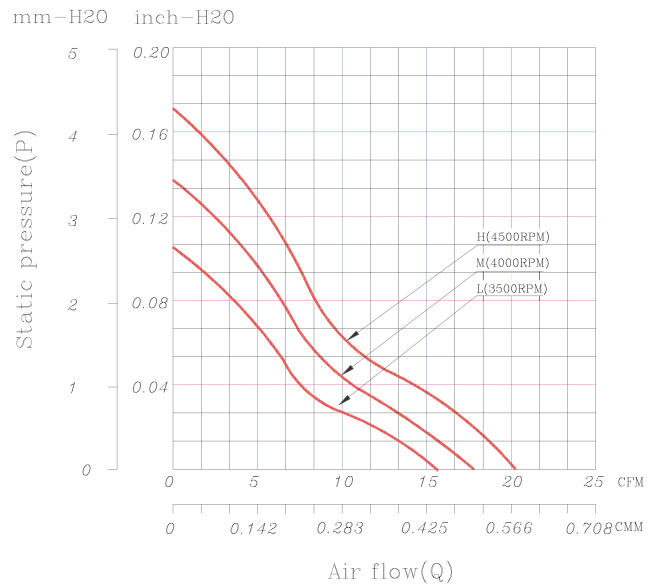


**60 x 60 x 15 mm Series**
**Rev I – 18Ø**
**Dimensions**

**Performance Curves**


Air exhaust over struts. Rotational direction CCW looking at rotor

Brushless DC Motor	Bearing Type
Housing: PBT 94V0	● CeraDyna A
Impeller: PBT 94V0	● 2-Ball
Weight: 40 g	● 1-Ball-1-Sleeve
Impedance protected	● Sleeve
Lead wire UL 1007 AWG 26	* Please contact us for CeraDyna-C availability.

Function options	
● Frequency Generator	● Auto Restart
● Temperature Control	● Rotation Detection

\* Please contact us for PWM function availability.

 \* **Safety Approval: CE, UL, TUV**

\* All fans are with electronic protection against reverse polarity. The fan only operates when the polarity is correct.

**Specifications**

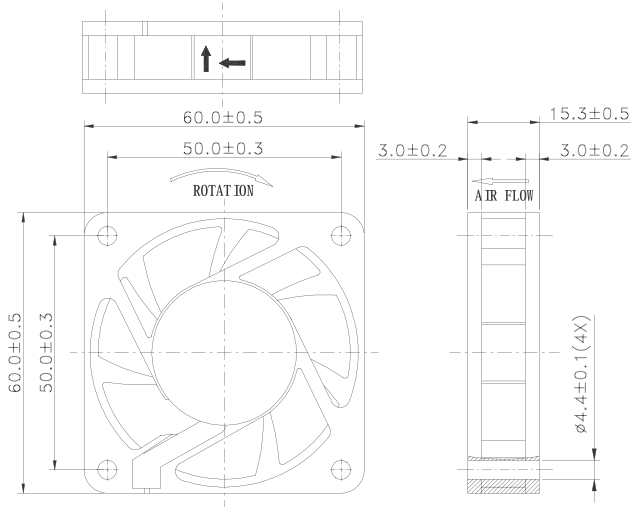
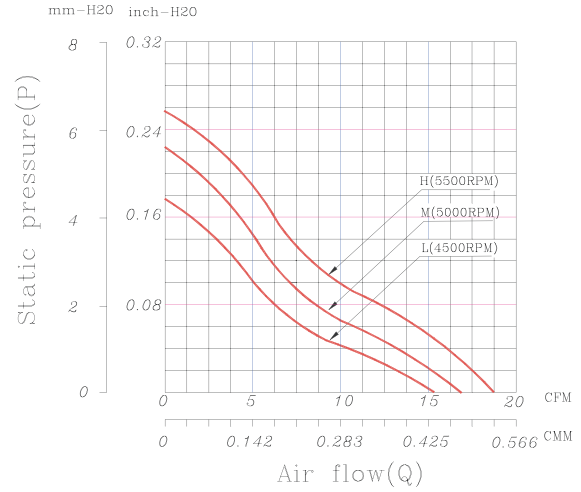
Model	Rated Voltage (VDC)	Rated Current (Amp)	Input Power (Watts)	Nominal Speed (RPM)	Airflow (CFM)	Static Pressure (inch-H2O)	Noise Level (dBA)
FD1260-A10XXC	12	0.18	2.16	4500	20.02	0.17	36.50
FD1260-A20XXC	12	0.14	1.68	4000	17.80	0.13	33.50
FD1260-A30XXC	12	0.12	1.44	3500	15.57	0.10	30.50
FD2460-A10XXC	24	0.12	2.88	4500	20.02	0.17	36.50
FD2460-A20XXC	24	0.11	2.64	4000	17.80	0.13	33.50
FD2460-A30XXC	24	0.10	2.40	3500	15.57	0.10	30.50

\* All readings are typical value at rated voltage.

 \* Please refer to **PART NUMBER SYSTEM** for bearing type and part number

\* Specifications are subject to change without prior notice.

\* Please specify revision number when ordering.

**60 x 60 x 15 mm Series**
**Rev II – 24Ø**
**Dimensions**

**Performance Curves**


Air exhaust over struts. Rotational direction CCW looking at rotor

Brushless DC Motor	Bearing Type
Housing: PBT 94V0	● CeraDyna A
Impeller: PBT 94V0	● 2-Ball
Weight: 40 g	● 1-Ball-1-Sleeve
Impedance protected	● Sleeve
Lead wire UL 1007 AWG 26	* Please contact us for CeraDyna-C availability.

Function options	
● Frequency Generator	● Auto Restart
● Temperature Control	● Rotation Detection

\* Please contact us for PWM function availability.

 \* **Safety Approval: CE, UL, TUV**

\* All fans are with electronic protection against reverse polarity. The fan only operates when the polarity is correct.

**Specifications**

Model	Rated Voltage (VDC)	Rated Current (Amp)	Input Power (Watts)	Nominal Speed (RPM)	Airflow (CFM)	Static Pressure (inch-H <sub>2</sub> O)	Noise Level (dBA)
FD056-A10XXC	5	0.43	2.15	5500	18.40	0.24	39.00
FD056-A20XXC	5	0.36	1.80	5000	16.74	0.22	36.50
FD056-A30XXC	5	0.29	1.45	4500	15.22	0.16	34.00
FD1260-A10XXC	12	0.18	2.16	5500	18.40	0.24	39.00
FD1260-A20XXC	12	0.14	1.68	5000	16.74	0.22	36.50
FD1260-A30XXC	12	0.12	1.44	4500	15.22	0.16	34.00
FD2460-A10XXC	24	0.12	2.88	5500	18.40	0.24	39.00
FD2460-A20XXC	24	0.10	2.40	5000	16.74	0.22	36.50
FD2460-A30XXC	24	0.09	2.16	4500	15.22	0.16	34.00

\* All readings are typical value at rated voltage.

 \* Please refer to **PART NUMBER SYSTEM** for bearing type and part number

\* Specifications are subject to change without prior notice.

\* Please specify revision number when ordering.

