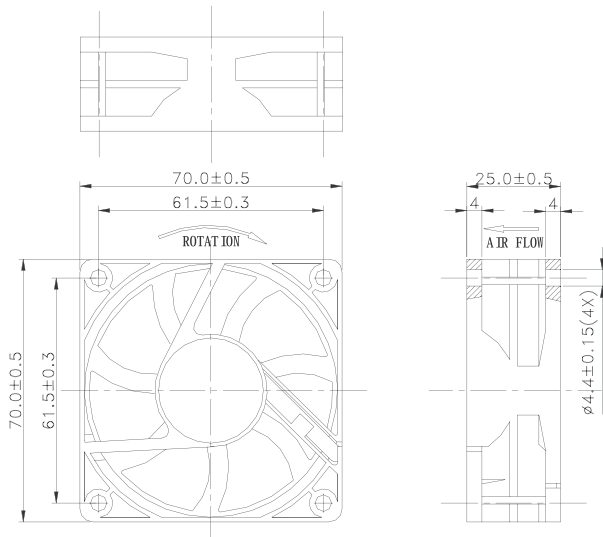
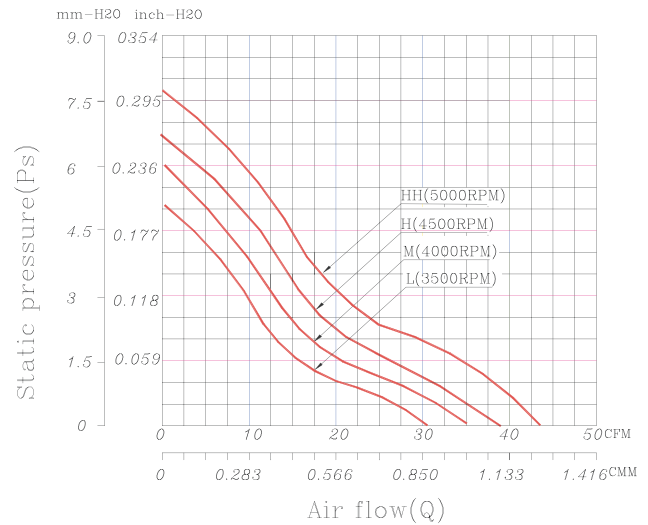


## 70 x 70 x 25 mm Series

### Dimensions



### Performance Curves



Air exhaust over struts. Rotational direction CCW looking at rotor

| Brushless DC Motor       | Bearing Type                                     |
|--------------------------|--|
| Housing: PBT 94V0        | ● CeraDyna A                                     |
| Impeller: PBT 94V0       | ● 2-Ball   |
| Weight: 65 g             | ● 1-Ball-1-Sleeve                                |
| Impedance protected      | ● Sleeve   |
| Lead wire UL 1007 AWG 24 | * Please contact us for CeraDyna-C availability. |

| Function options      |                      |
|-----------------------|----------------------|
| ● Frequency Generator | ● Auto Restart       |
| ● Temperature Control | ● Rotation Detection |

\* Please contact us for PWM function availability.

\* **Safety Approval: CE, UL, TUV**

\* All fans are with electronic protection against reverse polarity. The fan only operates when the polarity is correct.

### Specifications

| Model         | Rated Voltage (VDC) | Rated Current (Amp) | Input Power (Watts) | Nominal Speed (RPM) | Airflow (CFM) | Static Pressure (inch-H <sub>2</sub> O) | Noise Level (dBA) |
|---------------|---------------------|---------------------|---------------------|---------------------|---------------|---|-------------------|
| FD1270-A00XXE | 12                  | 0.35                | 4.20                | 5000                | 43.78         | 0.30                                    | 41.00             |
| FD1270-A10XXE | 12                  | 0.25                | 3.00                | 4500                | 39.40         | 0.27                                    | 39.00             |
| FD1270-A20XXE | 12                  | 0.21                | 2.52                | 4000                | 36.00         | 0.24                                    | 36.00             |
| FD1270-A30XXE | 12                  | 0.16                | 1.92                | 3500                | 30.60         | 0.21                                    | 33.00             |
| FD2470-A00XXE | 24                  | 0.21                | 5.04                | 5000                | 43.78         | 0.30                                    | 41.00             |
| FD2470-A10XXE | 24                  | 0.17                | 4.08                | 4500                | 39.40         | 0.27                                    | 39.00             |
| FD2470-A20XXE | 24                  | 0.14                | 3.36                | 4000                | 36.00         | 0.24                                    | 36.00             |
| FD2470-A30XXE | 24                  | 0.10                | 2.40                | 3500                | 30.60         | 0.21                                    | 33.00             |

\* All readings are typical value at rated voltage.

\* Please refer to **PART NUMBER SYSTEM** for bearing type and part number

\* Specifications are subject to change without prior notice.

\* Please specify revision number when ordering.