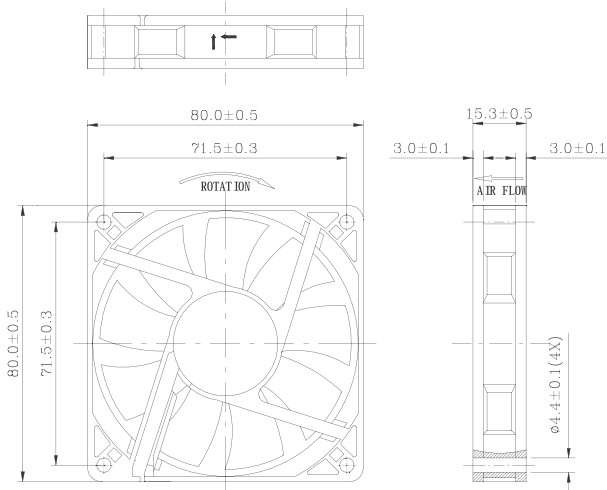
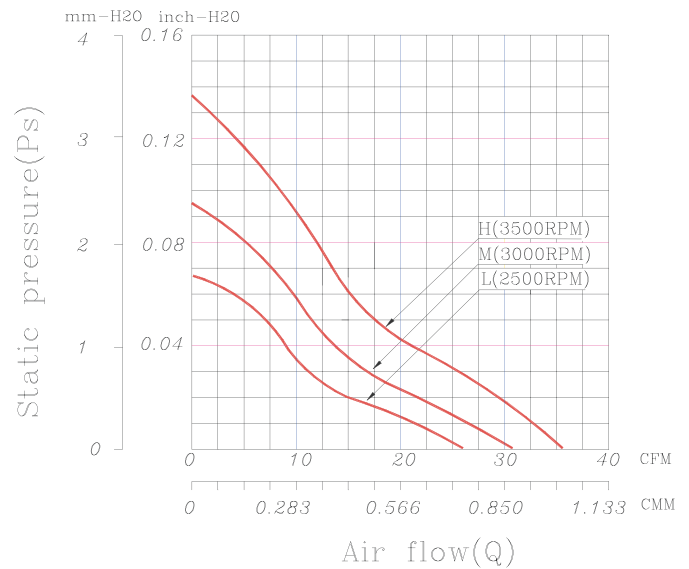


## 80 x 80 x 15 mm Series

### Dimensions



### Performance Curves



Air exhaust over struts. Rotational direction CCW looking at rotor

Brushless DC Motor	Bearing Type
Housing: PBT 94V0	● CeraDyna A
Impeller: PBT 94V0	● 2-Ball
Weight: 60 g	● 1-Ball-1-Sleeve
Impedance protected	● Sleeve
Lead wire UL 1007 AWG 24	* Please contact us for CeraDyna-C availability.

Function options	
● Frequency Generator	● Auto Restart
● Temperature Control	● Rotation Detection

\* Please contact us for PWM function availability.

\* **Safety Approval: CE, UL, TUV**

\* All fans are with electronic protection against reverse polarity. The fan only operates when the polarity is correct.

### Specifications

Model	Rated Voltage (VDC)	Rated Current (Amp)	Input Power (Watts)	Nominal Speed (RPM)	Airflow (CFM)	Static Pressure (inch-H <sub>2</sub> O)	Noise Level (dBA)
FD1280-A10XXC	12	0.23	2.76	3500	35.77	0.13	35.50
FD1280-A20XXC	12	0.17	2.04	3000	31.25	0.09	32.00
FD1280-A30XXC	12	0.11	1.32	2500	25.96	0.06	26.50

\* All readings are typical value at rated voltage.

\* Please refer to **PART NUMBER SYSTEM** for bearing type and part number

\* Specifications are subject to change without prior notice.

\* Please specify revision number when ordering.