



European Thermodynamics Limited
Intelligent Thermal Management

<http://www.etsy.com>
email: info@etsy.com
26-27 Chartwell Drive Ind Est
S.Wigston
Leicester, LE18 2FL, UK

FD4028 SERIES

40x40x28mm

- Airflow: 11.20~14.70 CFM
- Static Pressure: 10.60~18.00 mm-H₂O
- Blade / Housing: Plastic Material UL 94-0 P.B.T.
- Lead Wire: UL1007 #26 AWG
- Weight: 40g

Model	Bearing	Rated Voltage	Operating Voltage Range	Power Consumption	Rated Speed	Max. Airflow	Max. Static Pressure	Noise	Life	Weight
		VDC	VDC	W	RPM	CFM	mm-H ₂ O	dB (A)	Hour	g
FD1240287B-2F	2B	12	7~17	1.56	8,500	11.30	10.60	35.0	75,000	40
FD1240287B-2I	2B		7~17	1.56	8,500	11.30	10.60	35.0	75,000	40
FD1240289B-2F	2B		7~17	2.40	10,000	13.40	14.70	42.0	75,000	40
FD1240289B-2I	2B		7~17	2.40	10,000	13.40	14.70	42.0	75,000	40
FD124028BB-2F	2B		7~17	3.12	11,500	14.70	18.00	44.0	75,000	40
FD124028BB-2I	2B		7~17	3.12	11,500	14.70	18.00	44.0	75,000	40
FD2440287B-2F	2B	24	12~33	1.92	8,500	11.20	10.60	35.0	75,000	40
FD2440287B-2I	2B		12~33	1.92	8,500	11.20	10.60	35.0	75,000	40
FD2440289B-2F	2B		12~33	2.40	10,000	13.40	14.70	42.0	75,000	40
FD2440289B-2I	2B		12~33	2.40	10,000	13.40	14.70	42.0	75,000	40
FD2440289B-2F	2B		12~33	2.40	10,000	13.40	14.70	42.0	75,000	40
FD2440289B-2I	2B		12~33	2.40	10,000	13.40	14.70	42.0	75,000	40

● 2B: 2-ball bearing BS: 1-ball 1-sleeve bearing S: sleeve bearing

Voltage Available

05 12 24 48 53

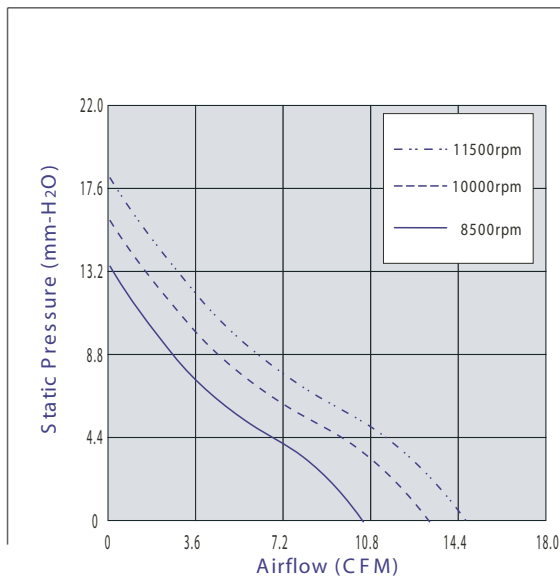
Bearing System Available

2B BS S

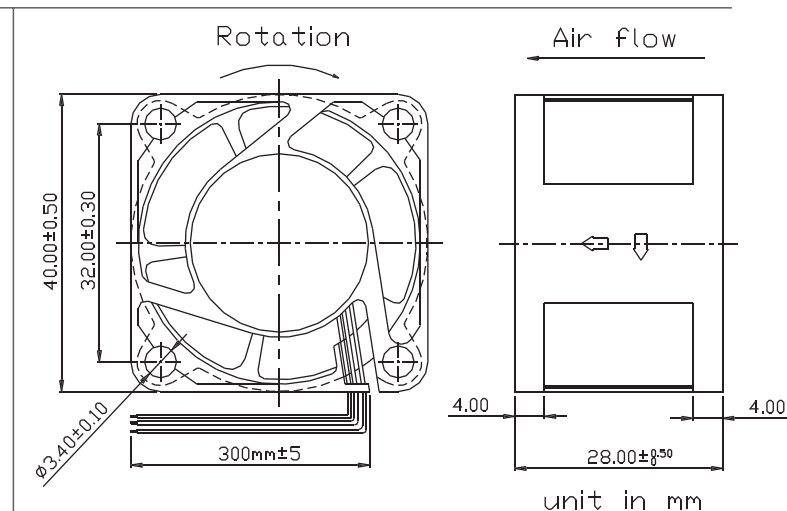
Function Available

N A I F R Q S T M V C P W

PERFORMANCE P-Q CURVE



OUTLINE DIMENSIONS



Customized Specifications are designed accordingly.

Specifications are subject to change without notice. Please visit Y.S. TECH web site at <http://www.ystech.com.tw> for updated information.