

AXIAL DC FAN



<http://www.etedyn.com>
 email: info@etedyn.com
 26-27 Chartwell Drive Ind Est
 S.Wigston
 Leicester, LE18 2FL, UK

FD4107 SERIES

40x40x7mm

- Airflow: 4.50~4.90 CFM
- Static Pressure: 2.60~2.80 mm-H₂O
- Blade / Housing: Plastic Material UL 94-0 P.B.T.
- Lead Wire: UL1007 #26 AWG
- Weight: 11 g

Model	Bearing	Rated Voltage	Operating Voltage Range	Power Consumption	Rated Speed	Max. Airflow	Max. Static Pressure	Noise	Life	Weight
		VDC	VDC	W	RPM	CFM	mm-H ₂ O	dB (A)	Hour	g
FD0541077S-1A	S	5	4~7	0.60	6,200	4.90	2.80	29.5	30,000	11
FD0541077S-1N	S		4~7	0.60	6,200	4.90	2.80	29.5	30,000	11
FD1241075S-1A	S	12	7~17	0.72	5,500	4.50	2.60	27.0	30,000	11
FD1241075S-1N	S		7~17	0.72	5,500	4.50	2.60	27.0	30,000	11
FD1241077S-1A	S		7~17	0.84	6,200	4.90	2.80	29.5	30,000	11
FD1241077S-1N	S		7~17	0.84	6,200	4.90	2.80	29.5	30,000	11

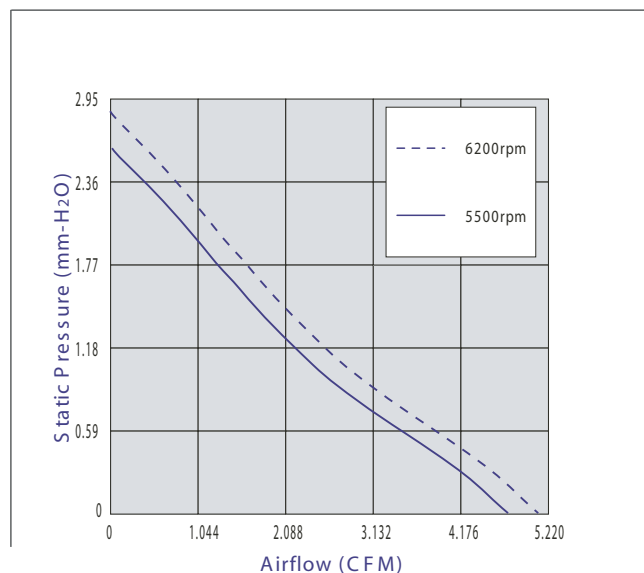
● 2B: 2-ball bearing BS: 1-ball 1-sleeve bearing S: sleeve bearing

Voltage Available
 05 12 24 48 53

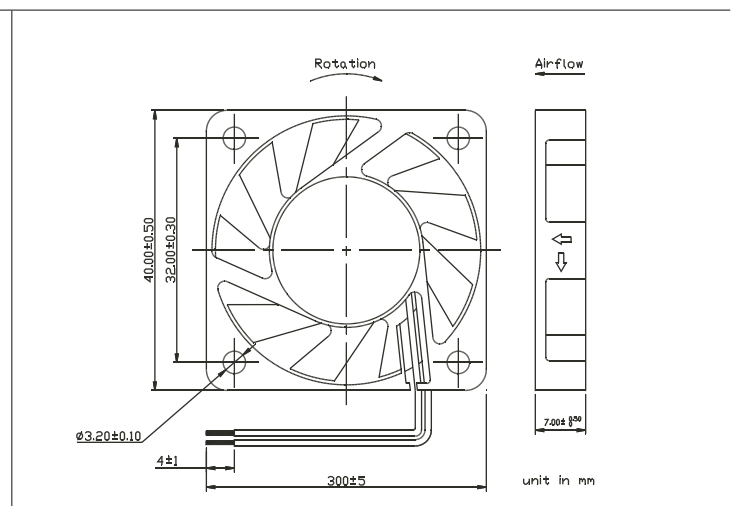
Bearing System Available
 2B BS S

Function Available
 N A I F R Q S T M V C P W

PERFORMANCE P-Q CURVE



OUTLINE DIMENSIONS



Customized Specifications are designed accordingly. Specifications are subject to change without notice. Please visit Y.S. TECH web site at <http://www.ystech.com.tw> for updated information.