

## FD4510 SERIES

### 45x45x10mm

- Airflow: 8.30~11.30 CFM
- Static Pressure: 2.10~3.30 mm-H<sub>2</sub>O
- Blade / Housing: Plastic Material UL 94-0 P.B.T.
- Lead Wire: UL1007 #26 AWG
- Weight: 17 g

Model	Bearing	Rated Voltage	Operating Voltage Range	Power Consumption	Rated Speed	Max. Airflow	Max. Static Pressure	Noise	Life	Weight
		VDC	VDC	W	RPM	CFM	mm-H <sub>2</sub> O	dB(A)	Hour	g
FD0545105B-2N	2B	5	4~7	0.85	5,500	9.60	2.30	32.0	80,000	17
FD0545107B-2A	2B		4~7	1.20	6,300	10.60	3.10	35.5	75,000	17
FD1245103B-2A	2B		7~17	1.08	5,100	8.60	2.10	29.5	80,000	17
FD1245103B-2N	2B	12	7~17	1.08	5,100	8.60	2.10	29.5	80,000	17
FD1245105B-2A	2B		7~17	1.44	5,500	9.60	2.30	32.0	80,000	17
FD1245105B-2N	2B		7~17	1.44	5,500	9.60	2.30	32.0	80,000	17
FD1245107B-2A	2B		7~17	1.68	6,500	11.30	3.30	36.0	75,000	17
FD1245107B-2N	2B		7~17	1.68	6,500	11.30	3.30	36.0	75,000	17

● 2B: 2-ball bearing BS: 1-ball 1-sleeve bearing S: sleeve bearing

#### Voltage Available

05|12|24|48|53

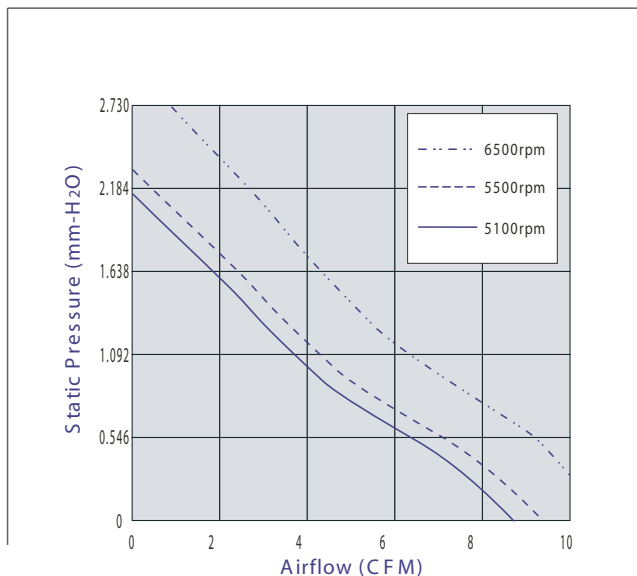
#### Bearing System Available

2B|BS|S

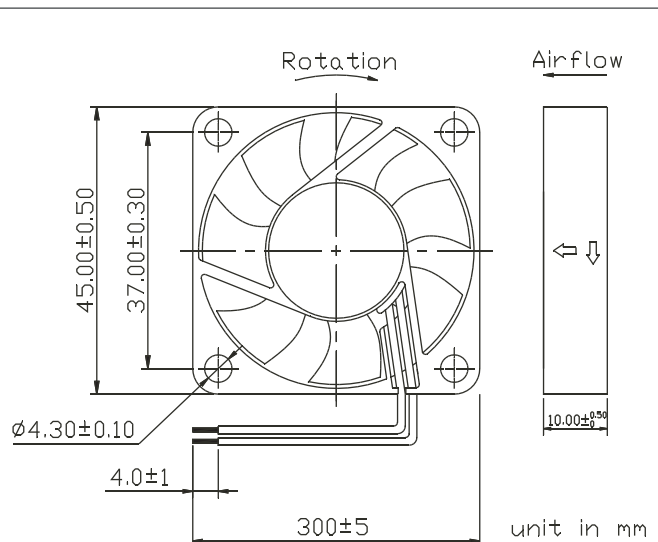
#### Function Available

N|A|I|F|R|Q|S|T|M|V|C|P|W

#### PERFORMANCE P-Q CURVE



#### OUTLINE DIMENSIONS



Customized Specifications are designed accordingly.  
Specifications are subject to change without notice. Please visit Y.S. TECH web site at <http://www.ystech.com.tw> for updated information.