

AXIAL DC FAN



http://www.etsdyn.com
 email: info@etsdyn.com
 26-27 Chartwell Drive Ind Est
 S. Wigston
 Leicester, LE18 2FL, UK

FD6015N SERIES

60x60x15mm

- Airflow: 16.00~24.10 CFM
- Static Pressure: 1.90~3.90 mm-H₂O
- Blade / Housing: Plastic Material UL 94-0 P.B.T.
- Lead Wire: UL1007 #26 AWG
- Weight: 38g

Model	Bearing	Rated Voltage	Operating Voltage Range	Power Consumption	Rated Speed	Max. Airflow	Max. Static Pressure	Noise	Life	Weight
		VDC	VDC	W	RPM	CFM	mm-H ₂ O	dB (A)	Hour	g
NFD1260153B-1N	BS	12	7~17	0.90	3,100	16.60	1.90	25.0	50,000	38
NFD1260153B-2N	2B		7~17	0.90	3,200	17.10	2.00	25.0	80,000	38
NFD1260155B-1A	BS		7~17	1.68	3,900	21.00	3.00	31.0	50,000	38
NFD1260155B-1N	BS		7~17	1.68	3,900	21.00	3.00	31.0	50,000	38
NFD1260155B-2A	2B		7~17	1.68	4,000	21.00	3.00	33.0	80,000	38
NFD1260155B-2N	2B		7~17	1.68	4,000	21.00	3.00	33.0	80,000	38
NFD1260157B-1A	BS		7~17	2.64	4,600	24.10	3.90	35.5	50,000	38
NFD1260157B-1N	BS		7~17	2.64	4,600	24.10	3.90	35.5	50,000	38
NFD1260157B-2A	2B		7~17	2.64	4,700	24.10	3.90	36.0	75,000	38
NFD1260157B-2N	2B		7~17	2.64	4,700	24.10	3.90	36.0	75,000	38

● 2B: 2-ball bearing BS: 1-ball 1-sleeve bearing S: sleeve bearing

Voltage Available

05 12 24 48 53

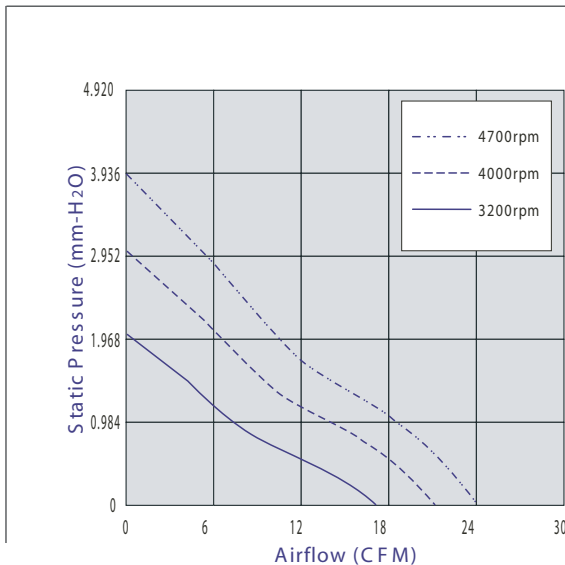
Bearing System Available

2B BS S

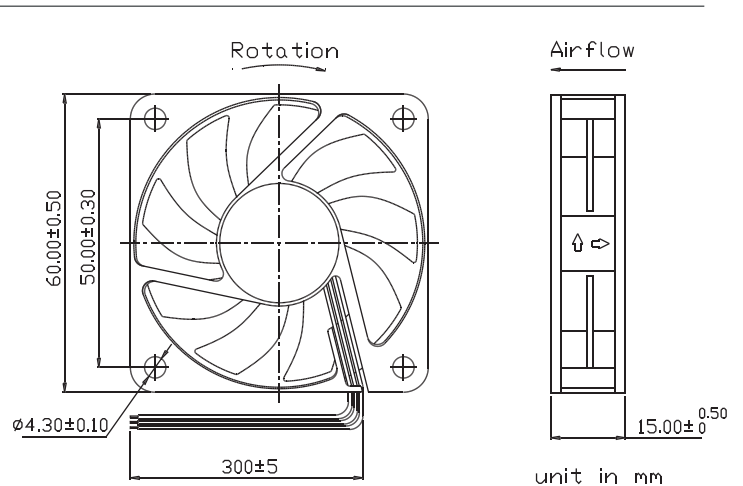
Function Available

N A I F R Q S T M V C P W

PERFORMANCE P-Q CURVE



OUTLINE DIMENSIONS



Customized Specifications are designed accordingly.
 Specifications are subject to change without notice. Please visit Y.S. TECH web site at <http://www.ys-tech.com.tw> for updated information.