

AXIAL DC FAN



European Thermodynamics Limited
Intelligent Thermal Management

<http://www.etsy.com>
email: info@etsy.com
26-27 Chartwell Drive Ind Est
S. Wigston
Leicester, LE18 2FL, UK

FD7010 SERIES

70x70x10mm

- Airflow: 30.00~33.80 CFM
- Static Pressure: 3.87~4.90 mm-H₂O
- Blade / Housing: Plastic Material UL 94-0 P.B.T.
- Lead Wire: UL1007 #26 AWG
- Weight: 35g

Model	Bearing	Rated Voltage	Operating Voltage Range	Power Consumption	Rated Speed	Max. Airflow	Max. Static Pressure	Noise	Life	Weight
		VDC	VDC	W	RPM	CFM	mm-H ₂ O	dB (A)	Hour	g
FD1270103B-1F	BS	12	7~17	2.40	3,800	25.70	2.80	33.5	50,000	35
FD1270103B-2F	2B		7~17	2.40	3,800	25.70	2.80	33.5	80,000	35
FD1270103S-1F	S		7~17	2.40	3,800	25.70	2.80	33.5	30,000	35
FD1270105B-1F	BS		7~17	2.64	4,300	29.00	3.60	37.5	50,000	35
FD1270105B-2F	2B		7~17	2.64	4,300	29.00	3.60	37.5	80,000	35
FD1270105S-1F	S		7~17	2.64	4,300	29.00	3.60	37.5	30,000	35
FD1270107B-1F	BS		7~17	2.85	5,000	33.80	4.15	40.0	50,000	35
FD1270107B-2F	2B		7~17	2.85	5,000	33.80	4.15	40.0	75,000	35
FD1270107S-1F	S		7~17	2.85	5,000	33.80	4.15	40.0	30,000	35

● 2B: 2-ball bearing BS: 1-ball 1-sleeve bearing S: sleeve bearing

Voltage Available

05 12 24 48 53

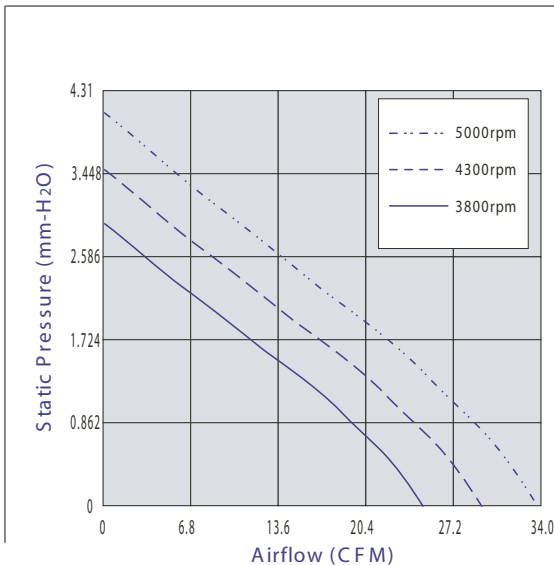
Bearing System Available

2B BS S

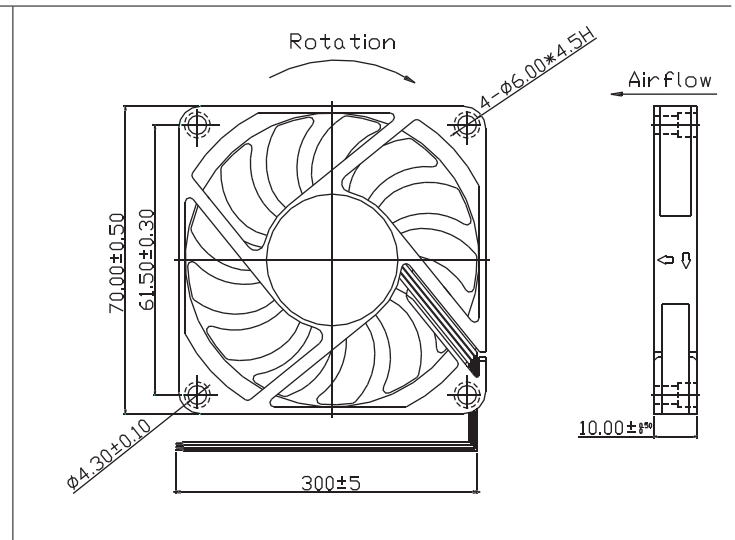
Function Available

N A I F R Q S T M V C P W

PERFORMANCE P-Q CURVE



OUTLINE DIMENSIONS



Customized Specifications are designed accordingly. Specifications are subject to change without notice. Please visit Y.S. TECH web site at <http://www.ys.tech.com.tw> for updated information.