



<http://www.etcdyn.com>  
 email: [info@etcdyn.com](mailto:info@etcdyn.com)  
 26-27 Chartwell Drive Ind Est  
 S.Wigston  
 Leicester, LE18 2FL, UK

## FD8032 SERIES

### 80x80x32mm

- Airflow: 27.10~56.00 CFM
- Static Pressure: 3.30~14.90 mm-H<sub>2</sub>O
- Blade / Housing: Plastic Material UL 94-0 P.B.T.
- Lead Wire: UL1007 #22 AWG
- Weight: 167g

Model	Bearing	Rated Voltage	Operating Voltage Range	Power Consumption	Rated Speed	Max. Airflow	Max. Static Pressure	Noise	Life	Weight
		VDC	VDC	W	RPM	CFM	mm-H <sub>2</sub> O	dB(A)	Hour	g
FD1280323B-2F	2B	12	7~17	1.44	2,400	27.10	3.30	34.8	80,000	167
FD1280325B-2F	2B		7~17	2.76	3,400	37.00	6.60	39.6	80,000	167
FD1280327B-2F	2B		7~17	4.44	4,400	46.90	9.80	44.9	75,000	167
FD1280329B-2F	2B		7~17	7.56	5,400	56.00	13.80	49.2	75,000	167
FD2480325B-2F	2B	24	12~33	3.36	3,400	37.00	6.60	39.6	80,000	167
FD2480327B-2F	2B		12~33	4.80	4,400	46.90	10.30	44.9	75,000	167
FD2480329B-2F	2B		12~33	7.92	5,400	56.00	13.80	49.2	75,000	167
FD4880325B-2F	2B		48	24~56	5.28	3,400	37.00	6.60	39.6	80,000
FD4880327B-2F	2B	24~56		8.16	4,400	46.90	10.90	44.9	75,000	167
FD4880329B-2F	2B	24~56		12.96	5,400	56.00	14.90	49.2	75,000	167

● 2B: 2-ball bearing BS: 1-ball 1-sleeve bearing S: sleeve bearing

#### Voltage Available

05 12 24 48 53

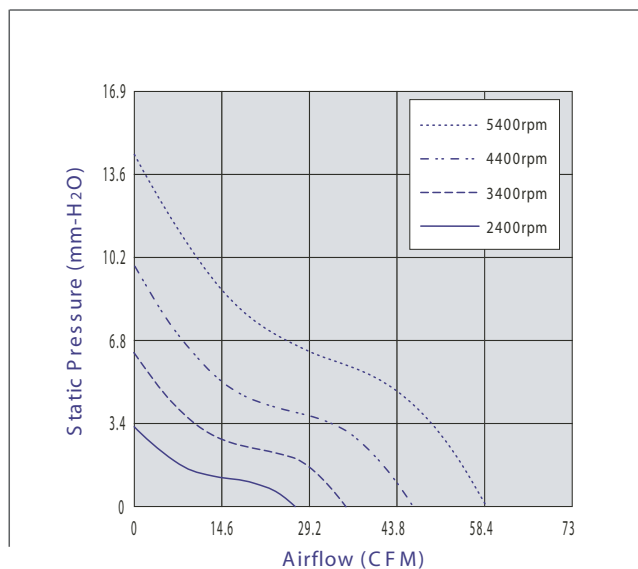
#### Bearing System Available

2B BS S

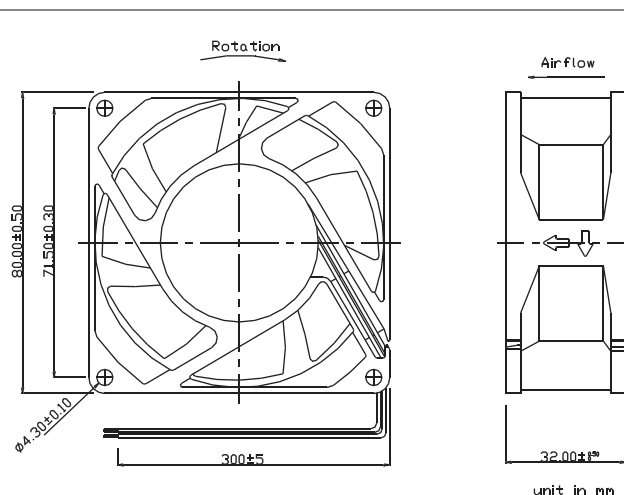
#### Function Available

N A I F R Q S T M V C P W

#### PERFORMANCE P-Q CURVE



#### OUTLINE DIMENSIONS



Customized Specifications are designed accordingly.  
 Specifications are subject to change without notice. Please visit Y.S. TECH web site at <http://www.ys-tech.com.tw> for updated information.