

Y.S. TECH



European Thermodynamics Limited
Intelligent Thermal Management

http://www.etsdyn.com
email: info@etsdyn.com
26-27 Chartwell Drive Ind Est
S.Wigston
Leicester, LE18 2FL, UK

FD9232 SERIES

92x92x32mm

- Airflow: 58.70~73.30 CFM
- Static Pressure: 6.90~10.70 mm-H₂O
- Blade / Housing: Plastic Material UL 94-0 P.B.T.
- Lead Wire: UL1007 #22 AWG
- Weight: 183g

Model	Bearing	Rated Voltage	Operating Voltage Range	Power Consumption	Rated Speed	Max. Airflow	Max. Static Pressure	Noise	Life	Weight
		VDC	VDC	W	RPM	CFM	mm-H ₂ O	dB (A)	Hour	g
FD1292325B-2F	2B	12	7~17	3.24	3,200	58.70	6.90	42.0	80,000	183
FD1292327B-2F	2B	12	7~17	5.88	4,000	73.30	10.70	47.0	75,000	183
FD2492325B-2F	2B	24	12~33	4.08	3,200	58.70	6.90	42.0	80,000	183
FD2492327B-2F	2B	24	12~33	6.24	4,000	73.30	10.70	47.0	75,000	183
FD4892325B-2F	2B	48	24~56	5.76	3,200	58.70	6.90	42.0	80,000	183
FD4892327B-2F	2B	48	24~56	10.08	4,000	73.30	10.70	47.0	75,000	183

● 2B: 2-ball bearing BS: 1-ball 1-sleeve bearing S: sleeve bearing

Voltage Available

05 12 24 48 53

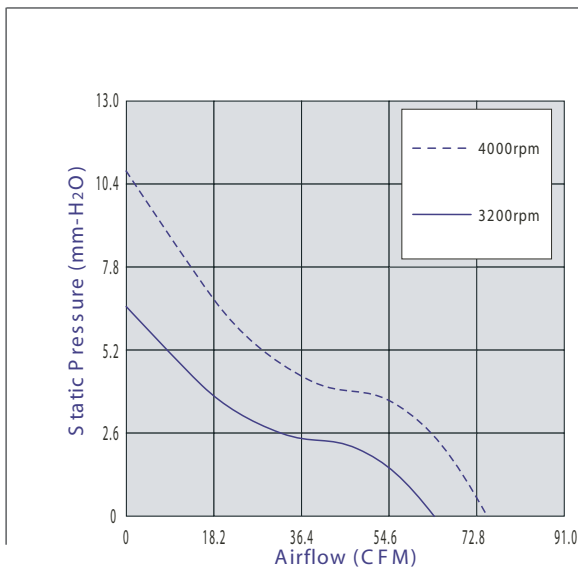
Bearing System Available

2B BS S

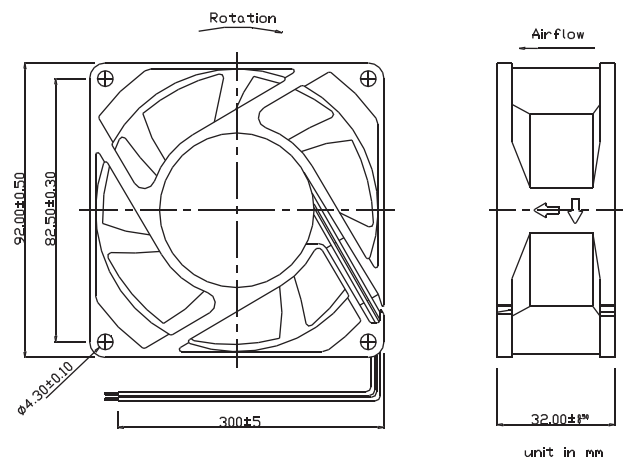
Function Available

N A I F R Q S T M V C P W

PERFORMANCE P-Q CURVE



OUTLINE DIMENSIONS



Customized Specifications are designed accordingly.
Specifications are subject to change without notice. Please visit Y.S. TECH web site at <http://www.ys.tech.com.tw> for updated information.