

AXIAL DC FAN



http://www.etsy.com
 email: info@etsy.com
 26-27 Chartwell Drive Ind Est
 S. Wigston
 Leicester, LE18 2FL, UK

FD9325 SERIES

92x92x25mm

- Airflow: 37.10~63.70 CFM
- Static Pressure: 1.50~4.0 mm-H₂O
- Blade / Housing: Plastic Material UL 94-0 P.B.T.
- Lead Wire: UL1007 #24 AWG
- Weight: 100g

| Model | Bearing | Rated Voltage | Operating Voltage Range | Power Consumption | Rated Speed | Max. Airflow | Max. Static Pressure | Noise | Life | Weight |
|---------------|---------|---------------|-------------------------|-------------------|-------------|--------------|----------------------|-------|--------|--------|
| | | VDC | VDC | W | RPM | CFM | mm-H ₂ O | dB(A) | Hour | g |
| FD1293252B-2A | 2B | 12 | 7~17 | 0.96 | 1,750 | 37.10 | 1.50 | 24.5 | 80,000 | 100 |
| FD1293253B-2A | 2B | | 7~17 | 1.20 | 1,900 | 40.10 | 1.70 | 26.3 | 80,000 | 100 |
| FD1293255B-2A | 2B | | 7~17 | 1.92 | 2,400 | 50.30 | 2.70 | 31.9 | 80,000 | 100 |
| FD1293257B-2A | 2B | | 7~17 | 2.76 | 2,800 | 63.70 | 3.50 | 37.4 | 75,000 | 100 |
| FD1293259B-2A | 2B | | 7~17 | 3.12 | 3,100 | 66.00 | 4.00 | 39.5 | 75,000 | 100 |
| FD2493253B-2N | 2B | 24 | 12~33 | 1.44 | 1,900 | 40.10 | 1.50 | 27.0 | 80,000 | 100 |
| FD2493255B-2N | 2B | | 12~33 | 1.92 | 2,400 | 50.30 | 2.70 | 31.9 | 80,000 | 100 |
| FD2493257B-2N | 2B | | 12~33 | 3.12 | 2,800 | 63.70 | 3.00 | 37.4 | 75,000 | 100 |
| FD4893255B-2F | 2B | 48 | 24~56 | 2.88 | 2,400 | 50.30 | 2.70 | 31.9 | 80,000 | 100 |
| FD4893257B-2F | 2B | | 24~56 | 4.32 | 2,800 | 63.70 | 3.50 | 37.4 | 75,000 | 100 |

● 2B: 2-ball bearing BS: 1-ball 1-sleeve bearing S: sleeve bearing

Voltage Available

05 12 24 48 53

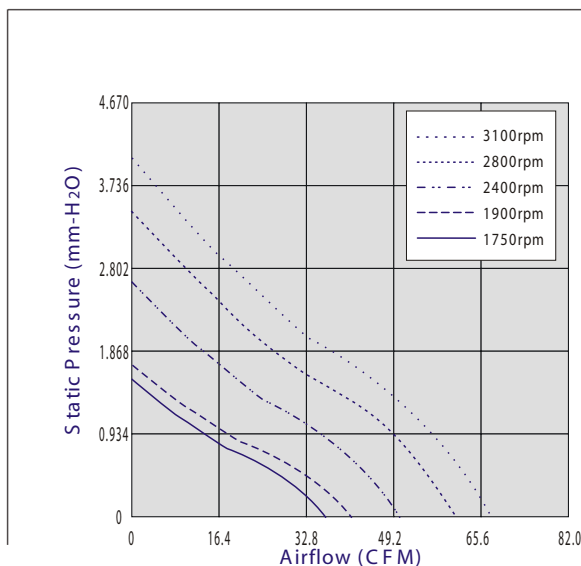
Bearing System Available

2B BS S

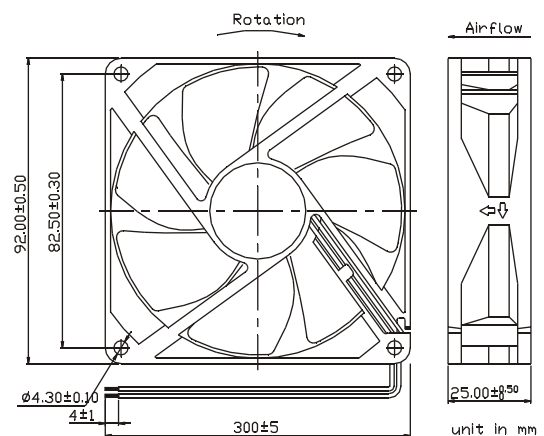
Function Available

NA IFR QST M V C P W

PERFORMANCE P-Q CURVE



OUTLINE DIMENSIONS



Customized Specifications are designed accordingly.

Specifications are subject to change without notice. Please visit Y.S. TECH web site at <http://www.ystech.com.tw> for updated information.

AXIAL DC FAN



http://www.ETdyn.com
 email: info@ETdyn.com
 26-27 Chartwell Drive Ind Est
 S. Wigston
 Leicester, LE18 2FL, UK

FD9325N SERIES

92x92x25mm

- Airflow: 44.70~69.70 CFM
- Static Pressure: 3.10~5.80 mm-H₂O
- Blade / Housing: Plastic Material UL 94-0 P.B.T.
- Lead Wire: UL1007 #24 AWG
- Weight: 100g

| Model | Bearing | Rated Voltage | Operating Voltage Range | Power Consumption | Rated Speed | Max. Airflow | Max. Static Pressure | Noise | Life | Weight |
|----------------|---------|---------------|-------------------------|-------------------|-------------|--------------|----------------------|--------|--------|--------|
| | | VDC | VDC | W | RPM | CFM | mm-H ₂ O | dB (A) | Hour | g |
| NFD1293253B-2I | 2B | 12 | 7~17 | 1.80 | 2,400 | 45.80 | 3.10 | 32.5 | 80,000 | 100 |
| NFD1293255B-2I | 2B | | 7~17 | 2.64 | 2,800 | 55.10 | 4.60 | 37.7 | 80,000 | 100 |
| NFD1293257B-2A | 2B | | 7~17 | 3.12 | 3,100 | 58.50 | 5.20 | 40.0 | 75,000 | 100 |
| NFD1293257B-2F | 2B | | 7~17 | 3.12 | 3,100 | 58.50 | 5.20 | 40.0 | 75,000 | 100 |
| NFD2493257B-2N | 2B | 24 | 7~17 | 3.12 | 3,100 | 58.50 | 5.20 | 40.0 | 75,000 | 100 |
| NFD2493253B-2N | 2B | | 12~33 | 2.16 | 2,400 | 45.80 | 3.10 | 34.4 | 80,000 | 100 |
| NFD2493255B-2N | 2B | | 12~33 | 2.88 | 2,800 | 55.10 | 4.60 | 37.7 | 80,000 | 100 |
| NFD2493257B-2N | 2B | | 12~33 | 3.84 | 3,100 | 58.50 | 5.20 | 40.0 | 75,000 | 100 |
| NFD4893257B-2F | 2B | 48 | 24~56 | 5.28 | 3,100 | 58.50 | 5.20 | 40.0 | 75,000 | 100 |
| NFD4893259B-2F | 2B | | 24~56 | 14.40 | 3,700 | 69.70 | 5.80 | 44.5 | 75,000 | 100 |

● 2B: 2-ball bearing BS: 1-ball 1-sleeve bearing S: sleeve bearing

Voltage Available

05 12 24 48 53

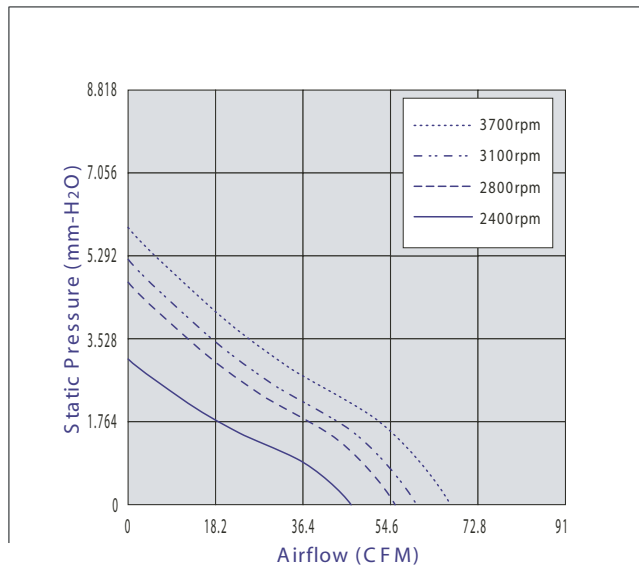
Bearing System Available

2B BS S

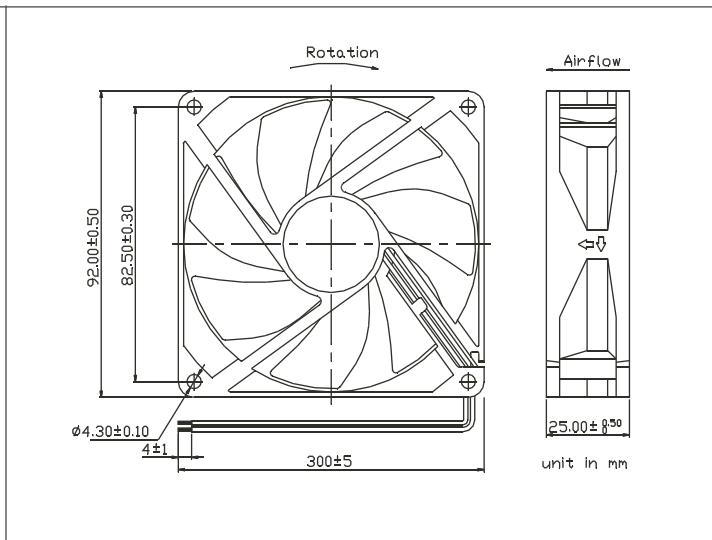
Function Available

NA IFR QST M V C P W

PERFORMANCE P-Q CURVE



OUTLINE DIMENSIONS



Customized Specifications are designed accordingly.
 Specifications are subject to change without notice. Please visit Y.S. TECH web site at <http://www.ystech.com.tw> for updated information.