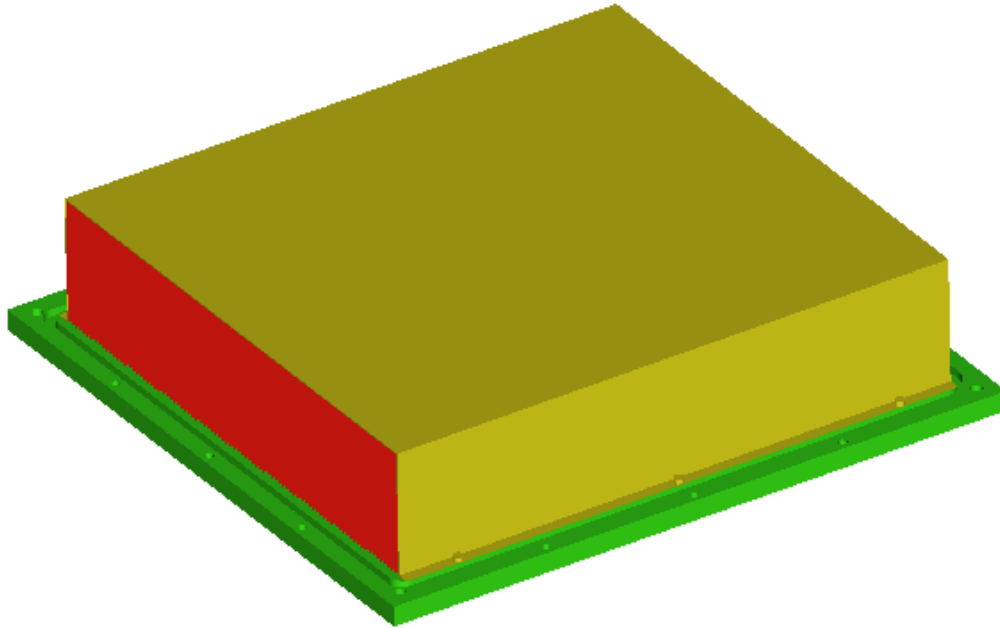
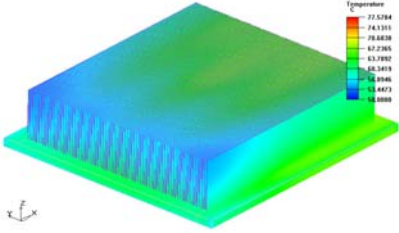
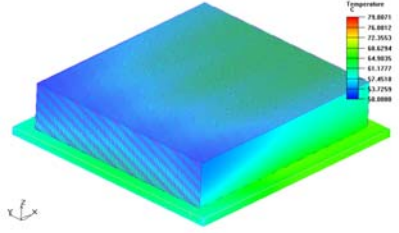
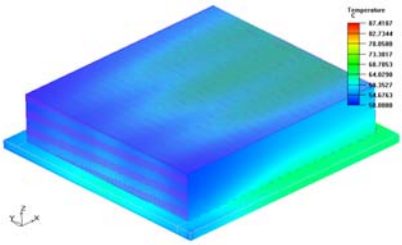
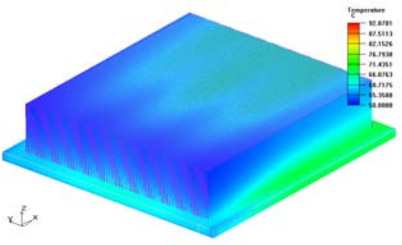


# Thermal Modeling Report – IGBT Modules - Converter



Copper or Aluminum Base/Graphite Fins/Aluminum Shroud  
 Dimensions: 444x426x99 mm  
 Fin Number: 88, Fin Thickness: 1 mm  
 Base Thickness: 14 mm

Option	$T_{max}$ (°C)	$\Theta_{ca}$ (°C/W)	Isometric View	Weight (kg)
Original Design Full Copper Fin Number: 82 Thickness: 1.2 mm	77.58	0.011		50.95
Grafterch Design Copper/Graphite Fin Number: 88 Thickness: 1 mm	79.81	0.012		28.94

<p>Graftech Design Aluminum/Graphite Fin Number: 88 Thickness: 1 mm</p>	<p>87.41</p>	<p>0.015</p>		<p>13.74</p>
<p>Original Design Full Aluminum Fin Number: 82 Thickness: 1.2 mm</p>	<p>92.87</p>	<p>0.017</p>		<p>16.96</p>

Source Power: 2540 W  
Ambient Temperature: 50°C  
Fan Model: EBM R2D280AD00-XF 06A Motorized Impeller