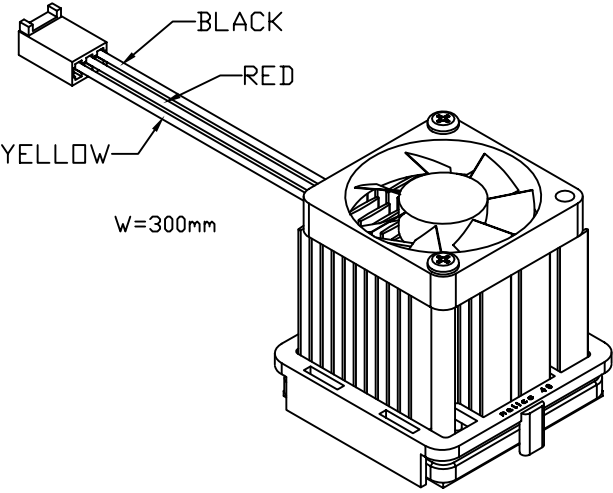


REV	ALTERATION	DATE	CHECKED
A	NEWRELEASE	07.13.2007	Wen
B			
C			
D			
E			

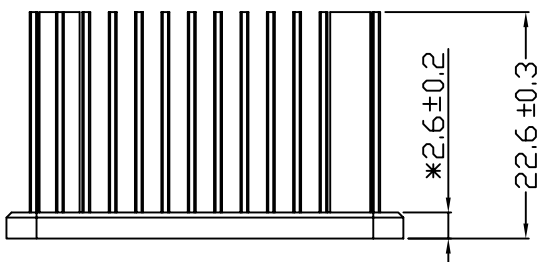
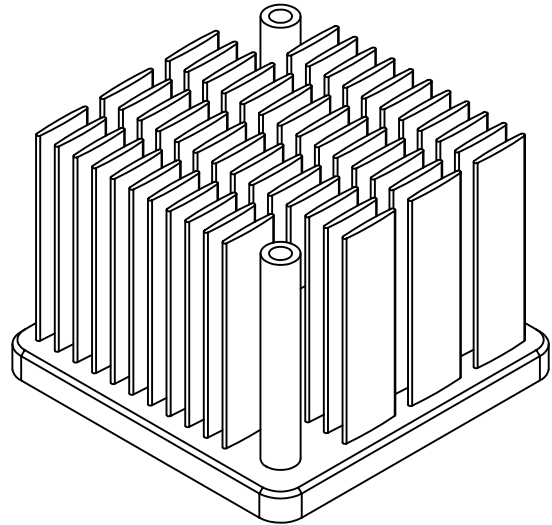
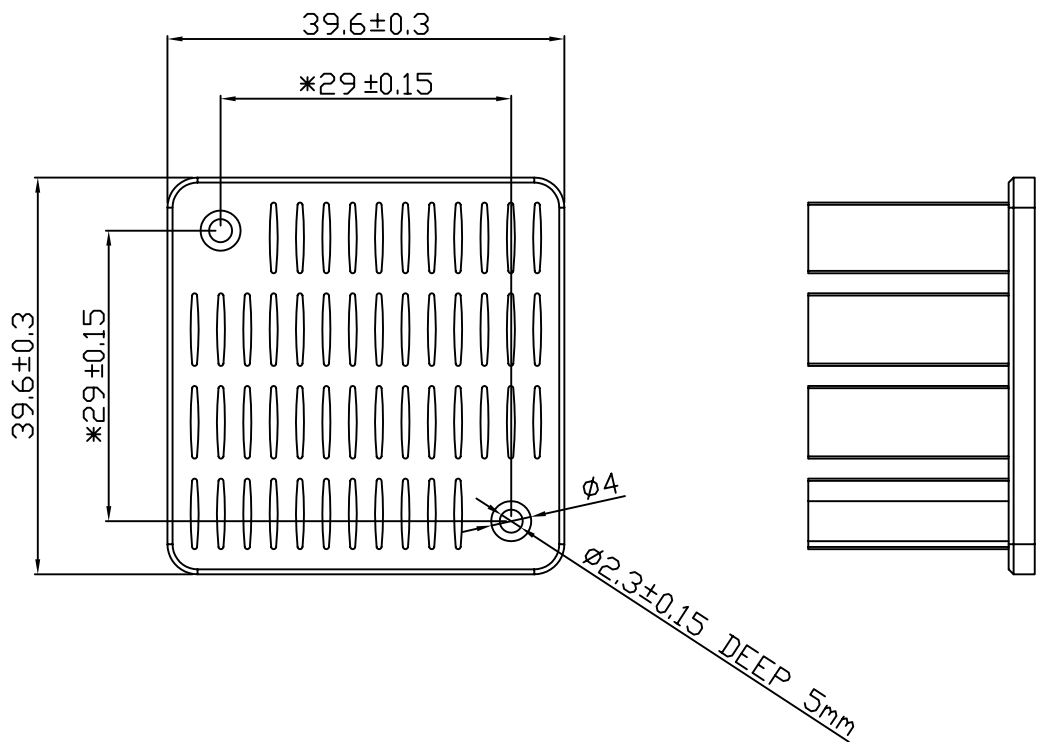


NOTES:


ITEM	DESCRIPTION	DIMENSION	MATERIAL	FINISH/COLOR	QTY
1	F001-00079	P2.6*10L	STEEL	NICKEL	2
2	DFANSU35350601-00	35*35*6.9	ENGINEERING PLASTIC	BLACK	1
3	CONNECTOR 3-PIN	2695	****	****	1
4	DCLIP043430900-00	42.7*42.2*9.1	NYLON-46	BLUE	1
5	BMBH0140402304-07	39.6*39.6*22.6	AL 6063	BLACK ANODIZE	1
6	F002-00121	38*38	T710	****	1

FINISH: SEE NOTES				
MATERIAL: SEE NOTES				
DATE: 07.13.2007	APPROVED: Sammy	CHECKED: Audi	DRAWN: Wen	REV: A
TITLE: ASSEMBLY	MODEL NO: CMBF0140402901-00 (MBF 40003-29W/2.6BU+T710)			

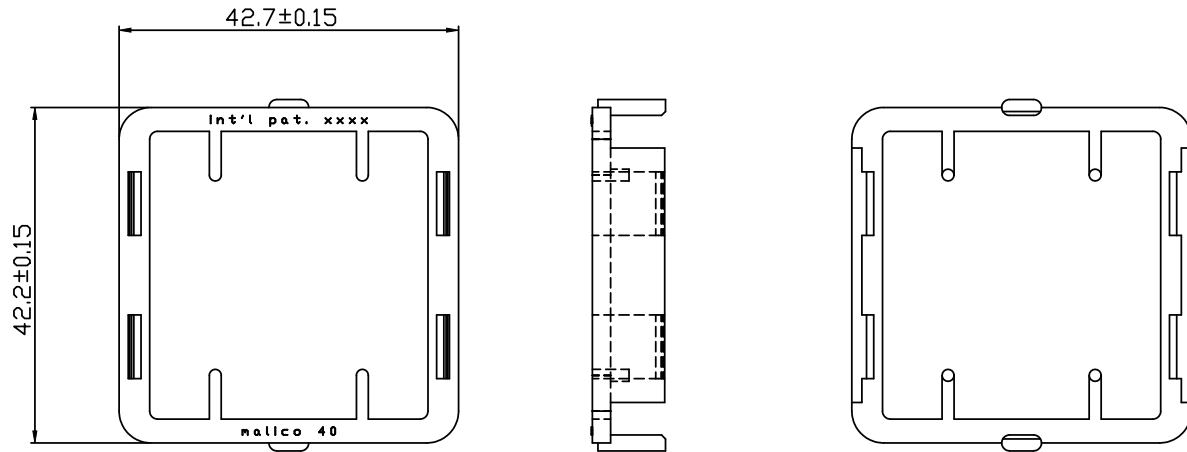
REV	ALTERATION	DATE	CHECKED
A	NEWRELEASE	07.13.2007	Wen
B			
C			
D			
E			



UNIT: MM	
TOLERANCE TABLE	
X.	= ±0.30
X.X	= ±0.20
X.XX	= ±0.10
ANGLE F = ± 1°	


FINISH: BLACK ANODIZE	 MALICO INC.			
MATERIAL: AL 6063	APPROVED: Sammy	CHECKED: Audi	DRAWN: Wen	REV: A
DATE: 07.13.2007	MODEL NO: BMBH0140402304-07			
TITLE: HEAT SINK	(MBH40003-23W/2.6)			

REV	ALTERATION	DATE	CHECKED
A	NEWRELEASE	09.07.2001	Vivian
B	CHANGED DIMENSION & CHANGED TOLERANCE	11.12.2001	Vivian
C	CHANGED TOLERANCE	07.05.2002	Vivian
D	RE-PRINT BY REAL PARTS	10.08.2002	Vivian
E	ADDUNG PATENT DESCRIPTION	03.16.2005	Nicole
F	CHANGED DIMENDIION	09.07.2005	Kenny
G	ADD DIMENSION C0.5 & CHANGED DIMENSION	03.09.2006	Nicole



NOTES:

CHIP SET THICKNESS	COLOR / PART NO.
3.3mm ±0.3mm	YELLOW / DCLIP043430902-00
1.7mm ±0.3mm	BLUE / DCLIP043430900-00
0.9mm ±0.3mm	ORANGE / DCLIP043430901-00

COLOR: SEE NOTES	 MALICO INC.			
MATERIAL: plastic				
DATE: 03.09.2006	APPROVED: Sammy	CHECKED: Audl	DRAWN: Nicole	REV: G
TITLE: CLIP	MODEL NO: DCLIP0434309XX-00 (BCP43-09(40))			

UNIT: MM
TOLERANCE TABLE
X. = ± 0.30
X.X = ± 0.20
X.XX = ± 0.10
ANGLE = ± 1°