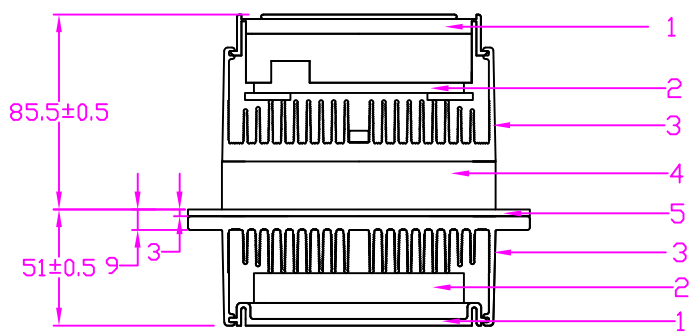



| SPECIFICATIONS (Ta=32°C) | CODE # | DESCRIPTION |
|----------------------------------|--------|---|
| Heat Transfer Cold side | A | Air |
| Heat Transfer Warm side | A | Air |
| Cascade | - | |
| Cooling Effect | 039 | 39 W at dT=0°C and Ta=32°C |
| Voltage Nominal | 12 | 12 VDC (14,5 VDC MAX) |
| Current Nominal | | 2,5 A at dT=0°C |
| TE-Module(s) | | PE-127-14-15 (2XS) |
| Fan(s) Cold side | 2 | 12VDC, 0.23A, 92x92x20, MTBF 40.000 hrs L10 (6V wiring) |
| Fan(s) Warm side | 2 | 12VDC, 0.25A, 92x92x25, MTBF 40.000 hrs L10 (6V wiring) |
| Thermostat / Regulation & Sensor | 0 | None |
| Thermostat Settings | 0 | None |
| Trimmable | | None |
| Accuracy & Hysteresis | | None |
| Thermostat Position & Casing | 0 | None |
| Options: Protections | 0 | None |
| Rapid Cooling / Economy | | None |
| Weight | | 2,9 kg net |
| Overheating Thermostat | | 75°C±5°C on warm side heat sink surface |
| Max. operating Temperature | | 59°C ambient |
| Enclosed | | Mounting Screws(4x), Cable L= 1500 |
| Packing | | Individual cardboard box |



MOUNTING HOLE PRINT : 212 X 122

| POS. | ITEM No.: | DESCRIPTION | QTY | NOTE |
|------|--------------|---------------------------------------|-----|----------------------|
| 1 | Finger Guard | Plastics, warm black, cold grey | 2 | |
| 2 | Fan | Plastics | 2 | Wired on 6V over TEM |
| 3 | Heat sink | Anodised Alu, cold silver, warm black | 2 | |
| 4 | Insulation | Polyurethane and Polyethylene | 1 | no CFC |
| 5 | Seal | Polyethylene, self-adhesive | 1 | flexible |
| 6 | Connector | ± Input terminal on PC board | 1 | Warm side |

| | | | | |
|--|---------------------------------------|-----------------------------|----------------------------|--------------|
| Qty/Product: | Material: | Project: Standard "Minibar" | | |
| Designed by: Pavel Cech | Approved by / sign.: Hans Lindberg | Customer: | Date/Rev.No: S-00-11-03 | Scale 1 |
|  Supercool AB Box 27, 40120 Göteborg, Sweden tel:+46 31 420530, fax:+46 31 247909 e-mail: pavel@supercool.se www.supercool.se | | COOLING-ASSEMBLY | | |
| | | AA-039-12-22-00-00 | SS-IS02768-1 | Sheet 1/1 |