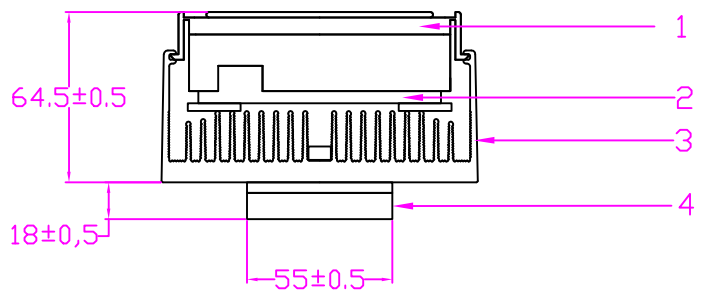



SPECIFICATIONS (Ta=32°C)	CODE #	DESCRIPTION
Heat Transfer Cold side	D	Direct cooling of solid surfaces (flatness 0,05 or better)
Heat Transfer Warm side	A	Air
Cascade	C	Multistage high dT system
Cooling Effect	046	46 W at dT=0°C and Ta=32°C
Voltage Nominal	24	24 VDC (29,5 VDC MAX)
Current Nominal		3,7 A at dT=0°C
TE-Module(s)		PE-192-1420-1525-S (2XS)
Fan(s) Cold side	0	None
Fan(s) Warm side	2	24VDC, 0,15A, 92x92x25, MTBF 40.000 hrs L10
Thermostat / Regulation & Sensor	0	None
Thermostat Settings	0	None
Trimmable		
Accuracy & Hysteresis		
Thermostat Position & Casing	0	None
Options: Protections	0	None
Rapid Cooling / Economy		None
Weight		1,8 kg net
Overheating Thermostat		75°C±5°C on warm side heat sink surface
Max. operating Temperature		53°C ambient
Enclosed		Cable L= 1500, Thermal Grease
Packing		Individual cardboard box



POS.	ITEM No.:	DESCRIPTION	QTY	NOTE
1	Finger Guard	Plastics, black	1	
2	Fan	Plastics	1	
3	Heat sink	Anodised Alu, black	1	
4	Cold Plate	Anodised Alu, silver	1	apply thermal grease
5	Connector	± Input terminal (screws) on PC board	1	beneath finger guard

Qty/Product:		Material:		Project: Standard	
Designed by: Pavel Cech	Approved by / sign.: Hans Lindberg	Customer:	Date/Rev.No: S-99-06-23	Scale 1	
		Supercool AB Box 27, 40120 Göteborg, Sweden tel: +46 31 420530, fax: +46 31 247909 e-mail: pavel@supercool.se www.supercool.se		COOLING-ASSEMBLY	
DAC046-24-02-00-00			SS-ISO2768-1	Sheet 1/1	