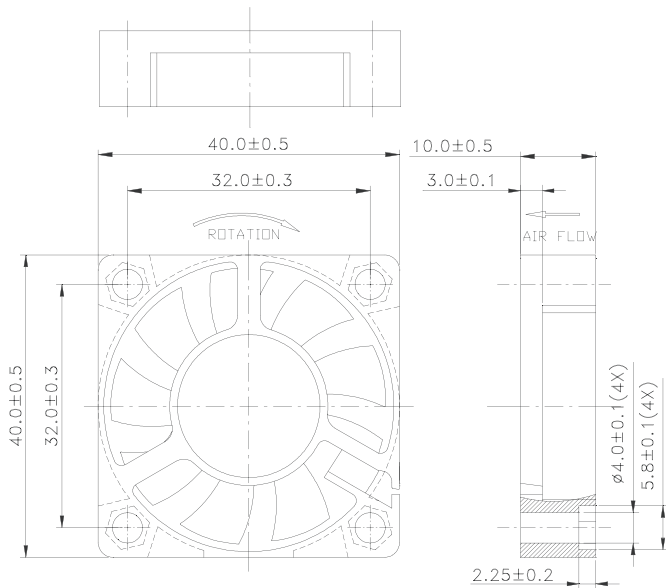
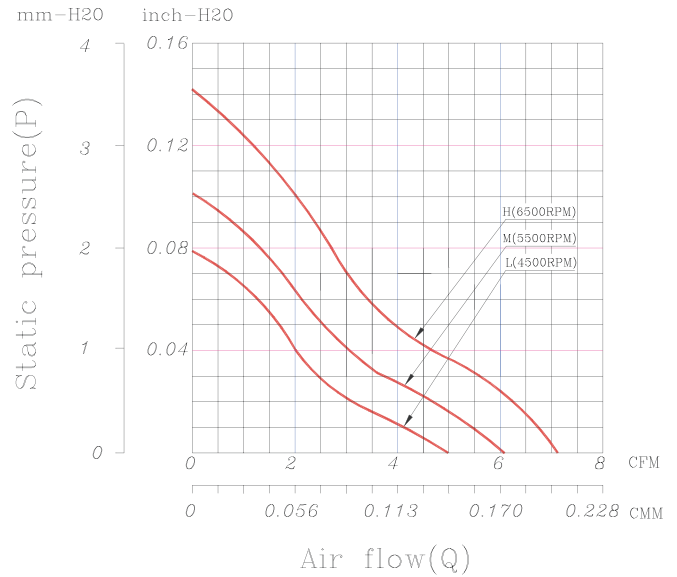


40 x 40 x 10 mm Series
Rev III – 9-Blade
Dimensions

Performance Curves


Air exhaust over struts. Rotational direction CCW looking at rotor.

Brushless DC Motor	Bearing Type
Housing: PBT 94V0	● CeraDyna A
Impeller: PBT 94V0	● 2-Ball
Weight: 15 g	● 1-Ball-1-Sleeve
Impedance protected	● Sleeve
Lead wire UL 1007 AWG 28	* Please contact us for CeraDyna-C availability.

Function options	
● Frequency Generator	● Auto Restart
○ Temperature Control	● Rotation Detection

* Please contact us for PWM function availability.

 * **Safety Approval: CE, UL, TUV**

* All fans are with electronic protection against reverse polarity. The fan only operates when the polarity is correct.

Specifications

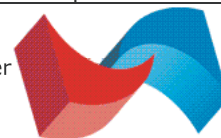
Model	Rated Voltage (VDC)	Rated Current (Amp)	Input Power (Watts)	Nominal Speed (RPM)	Airflow (CFM)	Static Pressure (inch-H ₂ O)	Noise Level (dBA)
FD0540-A10XXA	5	0.24	1.20	6500	7.20	0.14	33.00
FD0540-A20XXA	5	0.18	0.90	5500	6.11	0.10	27.50
FD0540-A30XXA	5	0.16	0.80	4500	4.98	0.07	23.50
FD1240-A10XXA	12	0.12	1.44	6500	7.20	0.14	33.00
FD1240-A20XXA	12	0.09	1.08	5500	6.11	0.10	27.50
FD1240-A30XXA	12	0.08	0.96	4500	4.98	0.07	23.50

* All readings are typical value at rated voltage.

 * Please refer to **PART NUMBER SYSTEM** for bearing type and part number

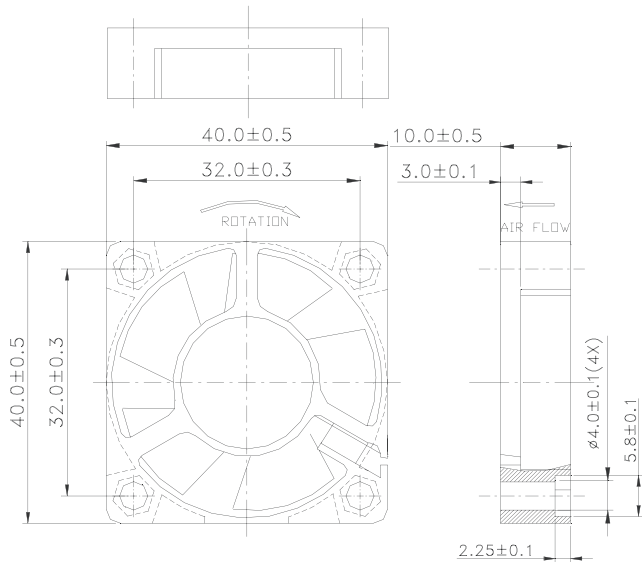
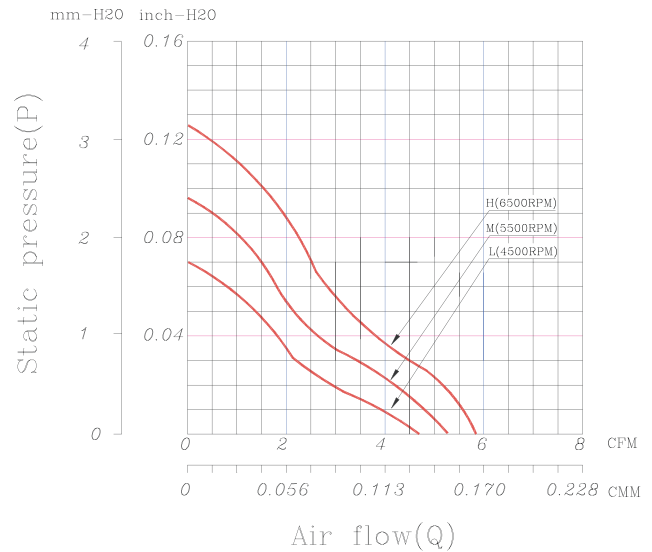
* Specifications are subject to change without prior notice.

* Please specify revision number when ordering.


European Thermodynamics Limited
 Intelligent Thermal Management

<http://www.etdyn.com>
 email: info@etdyn.com

 3 Kingsley Business Park, New Road,
 Kibworth Beauchamp
 Leicestershire, LE8 0LE, UK

40 x 40 x 10 mm Series
Rev IV – 5-Blade
Dimensions

Performance Curves


Air exhaust over struts. Rotational direction CCW looking at rotor.

Brushless DC Motor	Bearing Type
Housing: PBT 94V0	● CeraDyna A
Impeller: PBT 94V0	● 2-Ball
Weight: 15 g	● 1-Ball-1-Sleeve
Impedance protected	● Sleeve
Lead wire UL 1007 AWG 28	* Please contact us for CeraDyna-C availability.

Function options	
● Frequency Generator	● Auto Restart
○ Temperature Control	● Rotation Detection

* Please contact us for PWM function availability.

* **Safety Approval: CE, UL, TUV**

* All fans are with electronic protection against reverse polarity. The fan only operates when the polarity is correct.

Specifications

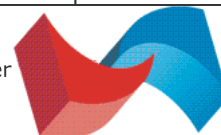
Model	Rated Voltage (VDC)	Rated Current (Amp)	Input Power (Watts)	Nominal Speed (RPM)	Airflow (CFM)	Static Pressure (inch-H ₂ O)	Noise Level (dBA)
FD0540-A10XXA	5	0.18	0.90	6500	5.80	0.12	28.50
FD0540-A20XXA	5	0.14	0.70	5500	5.20	0.09	24.50
FD0540-A30XXA	5	0.12	0.60	4500	4.60	0.07	23.00
FD1240-A10XXA	12	0.09	1.08	6500	5.80	0.12	28.50
FD1240-A20XXA	12	0.07	0.84	5500	5.20	0.09	24.50
FD1240-A30XXA	12	0.06	0.72	4500	4.60	0.07	23.00

* All readings are typical value at rated voltage.

* Please refer to **PART NUMBER SYSTEM** for bearing type and part number

* Specifications are subject to change without prior notice.

* Please specify revision number when ordering.



European Thermodynamics Limited
Intelligent Thermal Management

http://www.etdyn.com
email: info@etdyn.com

3 Kingsley Business Park, New Road,
Kibworth Beauchamp
Leicestershire, LE8 0LE, UK